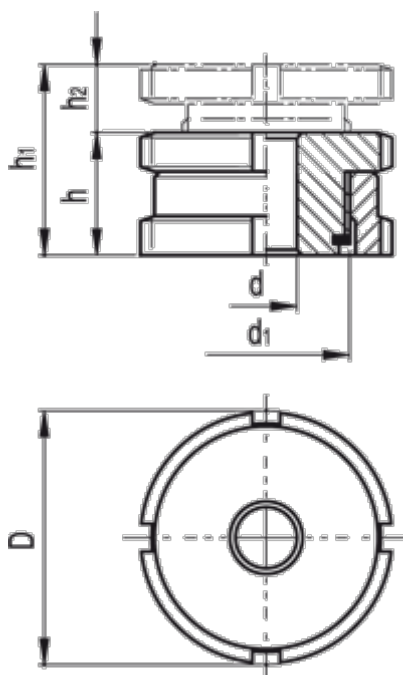


Article number: 20665235C  
Description: E+G Levelling set  
GN 350.1-58-26-NI

## Measures



C-spanner DIN 1810 = A58-62	
d	= 26.0
D	= 58
d1	= M40x1
For screw	= M24
h	= 28
h1	= 37
h2	= 9

Max static load (N)	= 148.0
Static preload (N)	= 20.3
Weight (g)	= 386